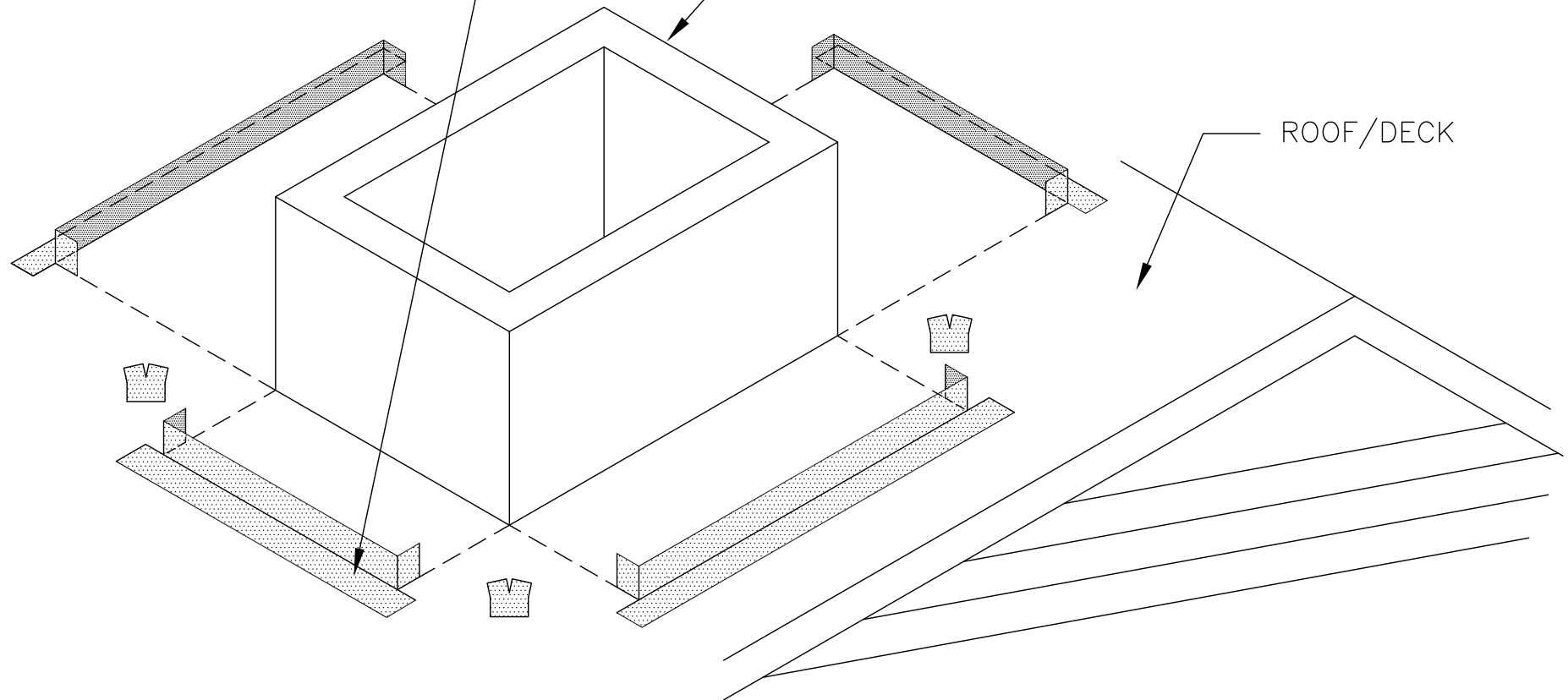


FLASHING CUT FROM WIP
MEMBRANE – TYPICAL AT
ALL SIDES

CORNER PATCH – TYPICAL
AT ALL CORNERS

STRUCTURE TO BE FLASHED –
INCLUDES CHIMNEY, DORMER
AND SKYLIGHT

ROOF/DECK



NOTES:

1. THE SUBSTRATE HAS TO BE CLEAN AND DRY.
2. RELEASE PAPER IS REMOVED AT TIME OF INSTALLATION.
3. ALL MASONRY OR CONCRETE HAS TO BE PRIMED.
4. WORK FROM BOTTOM OF SLOPE UP THE ROOF TO FORM WATER SHEDDING LAPS.
5. MODIFY RELIEF CUTS IN PATCH AS REQUIRED.
6. COVER ALL EXPOSED FLASHING WITH METAL FLASHING, SIDING OR SHINGLES/ ROOF COVERING.

WIP-12

WIP INSIDE/ OUTSIDE
CORNER DETAILS

CARLISLE
WIP PRODUCTS

© 2013 CARLISLE CORPORATION